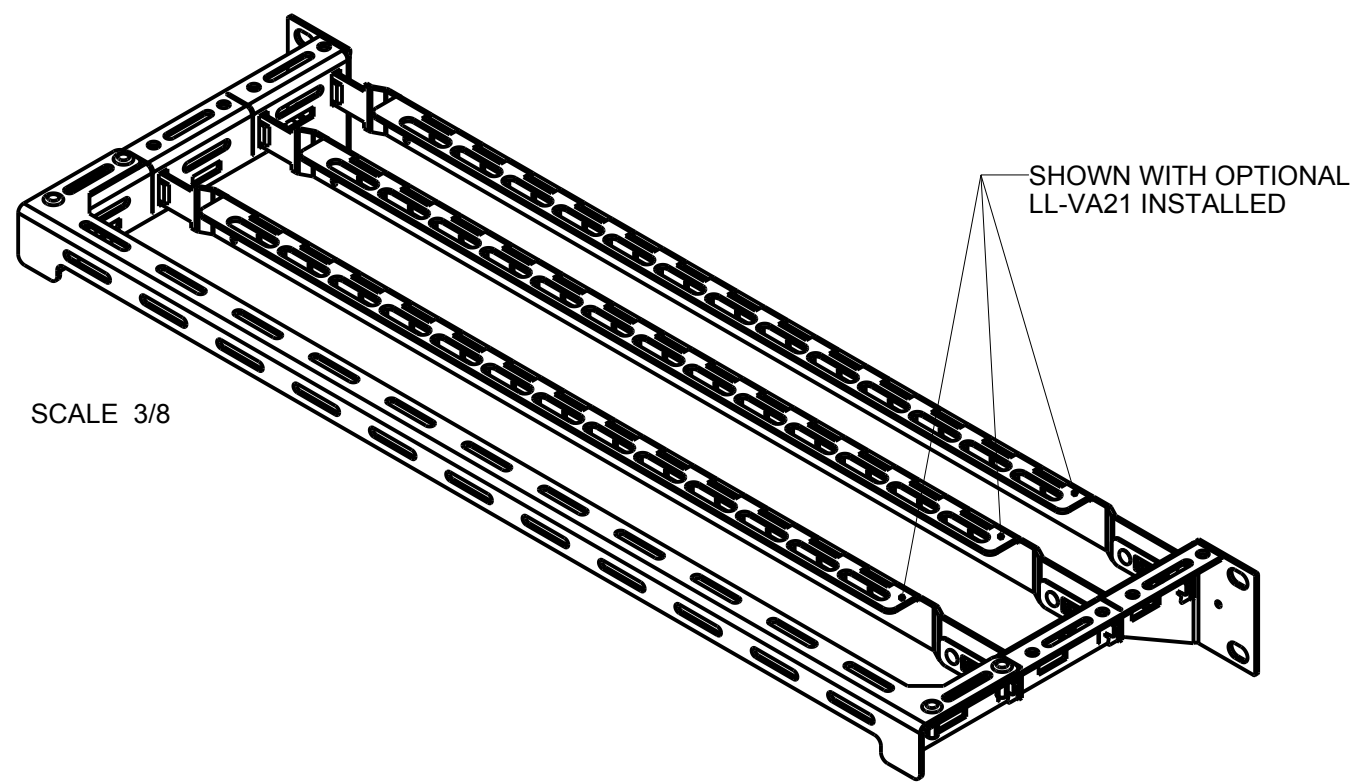


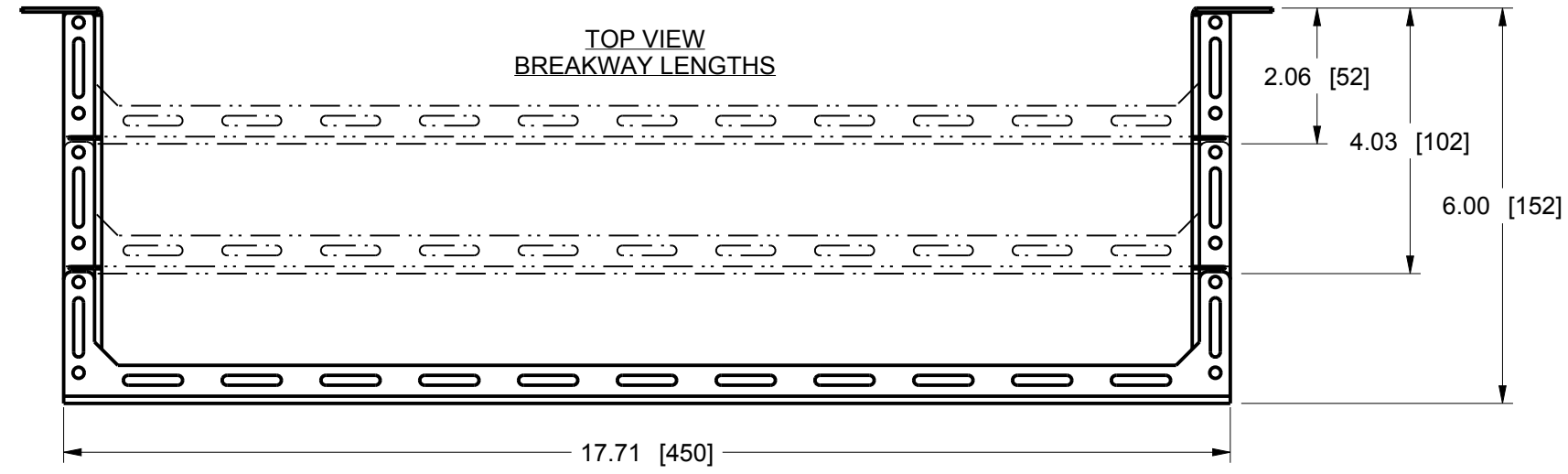
REV	DESCRIPTION	REV BY	REV DATE	APP'D BY	DATE APP.
A	PRODUCTION RELEASE	///	////	MC	05/14/19



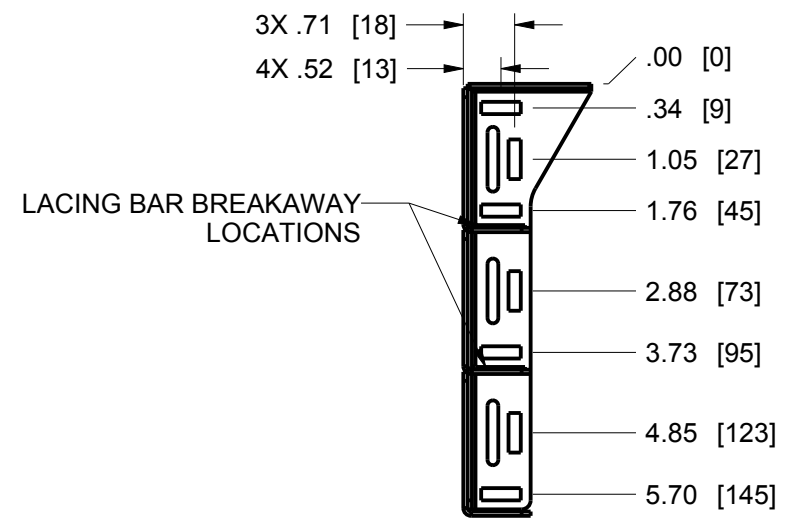
SCALE 3/8

- NOTE(S):
1. DIMENSION FORMAT: IN [MM]
  2. LBP-ADJ-A-2PK CONSISTS OF PARTS TO CREATE (2) ADJUSTABLE LACING BARS.
  3. LACING BAR EARS HAVE BREAKWAY LOCATIONS WHERE EARS CAN BE SNAPPED OFF CREATING DIFFERENT DEPTH LACING BARS.
  3. COMPATIBLE WITH 17" WIDTH LEVERLOCK. LL-VA21 SHOWN FOR REFERENCE.

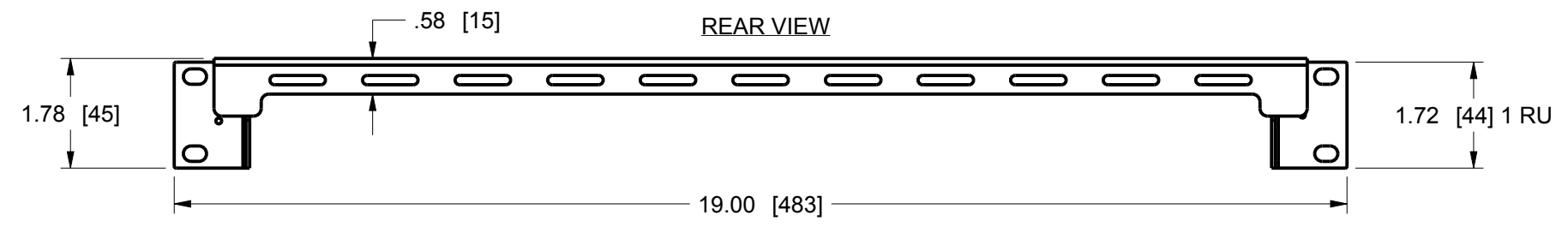
TOP VIEW  
BREAKWAY LENGTHS



SIDE VIEW  
LEVER LOCK LOCATIONS



REAR VIEW



PROJECTION: 1" ANGLE 	UNLESS OTHERWISE SPECIFIED, ALL DIMENSIONS ARE IN INCHES GENERAL TOLERANCES: DEC: 1 PLACE +/-0.1 ANGLE: +/-1° 2 PLACE +/-0.03 FRAC: +/-1/32 3 PLACE +/-0.010 HOLE SIZE: +/-0.002	APPROVALS	DATE		TITLE	LBP-ADJ-A-2PK
		MODELED AP DRAWN AP	05/10/19 05/10/19		DWG NO.	120-00010
SCALE = 3/8 SHEET 1 OF 1						